

**NEMA 4/12 - ENCLOSURE
19" RACKMOUNT - 22U HEIGHT
FLOOR MOUNT**

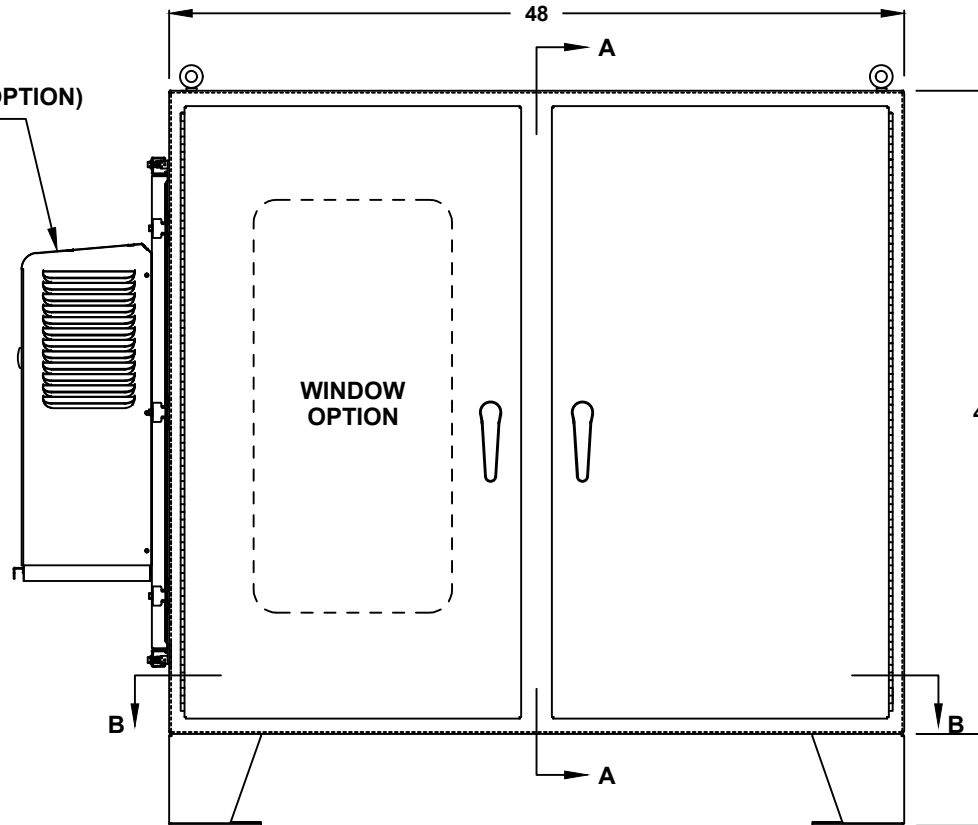
**42" H x 48" W x 48" D
4 DOOR DESIGN**



FILE NUMBER: E507642

- AIR CONDITIONER (OPTION)
REF. TO PAGE 2**
- ENCLOSURE MATERIAL**
- POWDER COATED STEEL (CS)
 - POWDER COATED ALUMINUM (AL)

- POWDERCOAT COLOR**
- WHITE
 - LIGHT GRAY ANSI 70
 - DARK GRAY ANSI 61
 - BLACK
 - CUSTOM _____



FRONT VIEW

- LIFTING EYES**
- WELDED PADEYES (STANDARD)
 - REMOVABLE PADEYES
- *WINDOW OPTIONS**
- CLEAR WINDOW
 - TINTED WINDOW
 - TEMPERED GLASS
 - NOT REQUIRED
- DOOR HANDLES**
- PADLOCK PROVISION (STANDARD)
 - KEYLOCK (OPTION)
- FLOOR KIT**
- 6" HT. (STANDARD)
 - 8" HT.
 - 10" HT.
 - 12" HT.
 - CUSTOM _____

ALL DIMENSIONS ARE ESTIMATED IN INCHES AND MAY VARY DUE TO SELECTED OPTIONS.

*NOTE: UL & NON-UL OPTIONS AVAILABLE

COMPANY NAME

APPROVED (PRINTED NAME)

SIGNATURE

DATE

**42" H x 48" W x 48" D
4 DOOR DESIGN**

AIR CONDITIONER

- 1000 BTU
- 1500 BTU
- 2000 BTU
- 3000 BTU
- 4000 BTU
- 5000 BTU
- 6000 BTU
- 8000 BTU
- SPECIFY _____
- NOT REQUIRED

A/C VOLTAGE/ HZ

- 115 VOLTS
- 230 VOLTS
- 480 VOLTS
- 60 HZ
- 50 HZ
- 48 VDC (CS011 A/C ONLY)

A/C INTEGRATED HEATER

- 350 WATTS (CS011 A/C ONLY)
- 500 WATTS
- 1000 WATTS
- EXTERNAL HEATER

ADDITIONAL A/C OPTIONS

- CORROSION PROTECTION PACKAGE
- DRY CONTACT (OUTPUT SIGNAL)
- 2" DEEP FILTERS
- PROXIMITY SWITCH (ON/OFF)

AIR CONDITIONER- SCADA

- MOBUS RTU 485 (2 WIRE) REMOTE NETWORK ETHERNET CONNECTION
- MOBUS GATEWAY ADD-ON

THERMAL SPECIFICATIONS

- OUTSIDE (AMBIENT) _____ °F
- INTERIOR TEMP. _____ °F
- HEAT LOAD (WATTS) _____
- SUN / SHADE _____

ENCLOSURE INSULATION

- 1/2 RADIANT BARRIER (STANDARD)
- 3/4 RADIANT BARRIER
- 1 RADIANT BARRIER
- NOT REQUIRED

SUN REFLECTIVE SOLUTION

- TOP SUNSHIELD COVER

A/C SERVICE DOOR

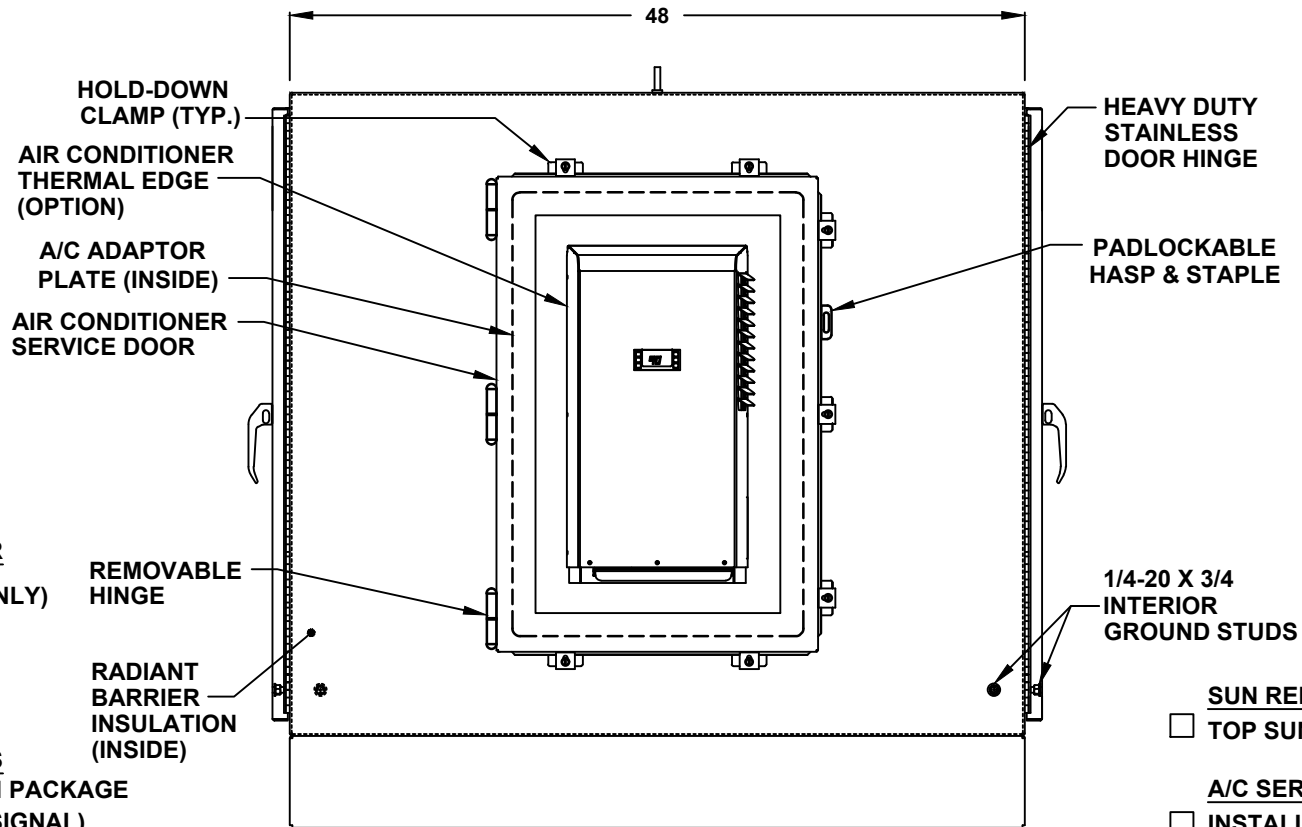
- INSTALL A/C SERVICE DOOR
- NOT REQUIRED

A/C SERVICE DOOR HINGE

- REMOVABLE HINGE
- CONTINUOUS HINGE

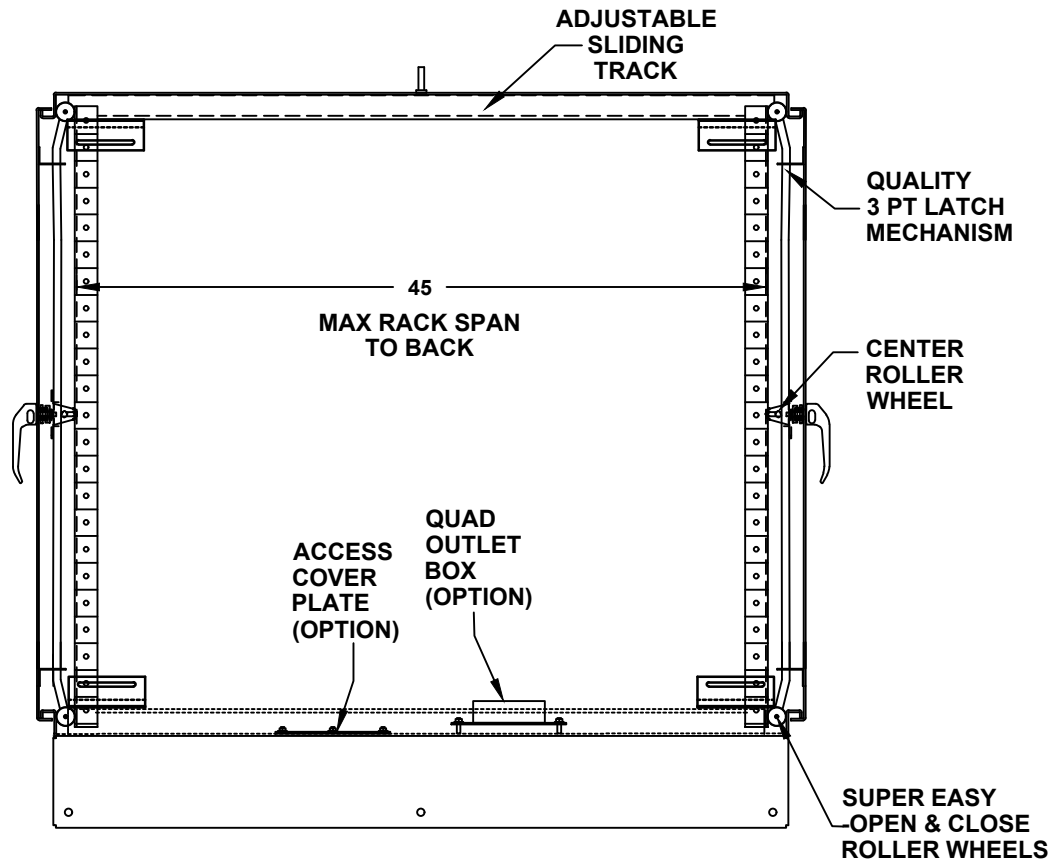
A/C ADAPTOR PLATE

- INSTALL A/C ADAPTOR PLATE
- NOT REQUIRED



LEFT SIDE

42" H x 48" W x 48" D
4 DOOR DESIGN

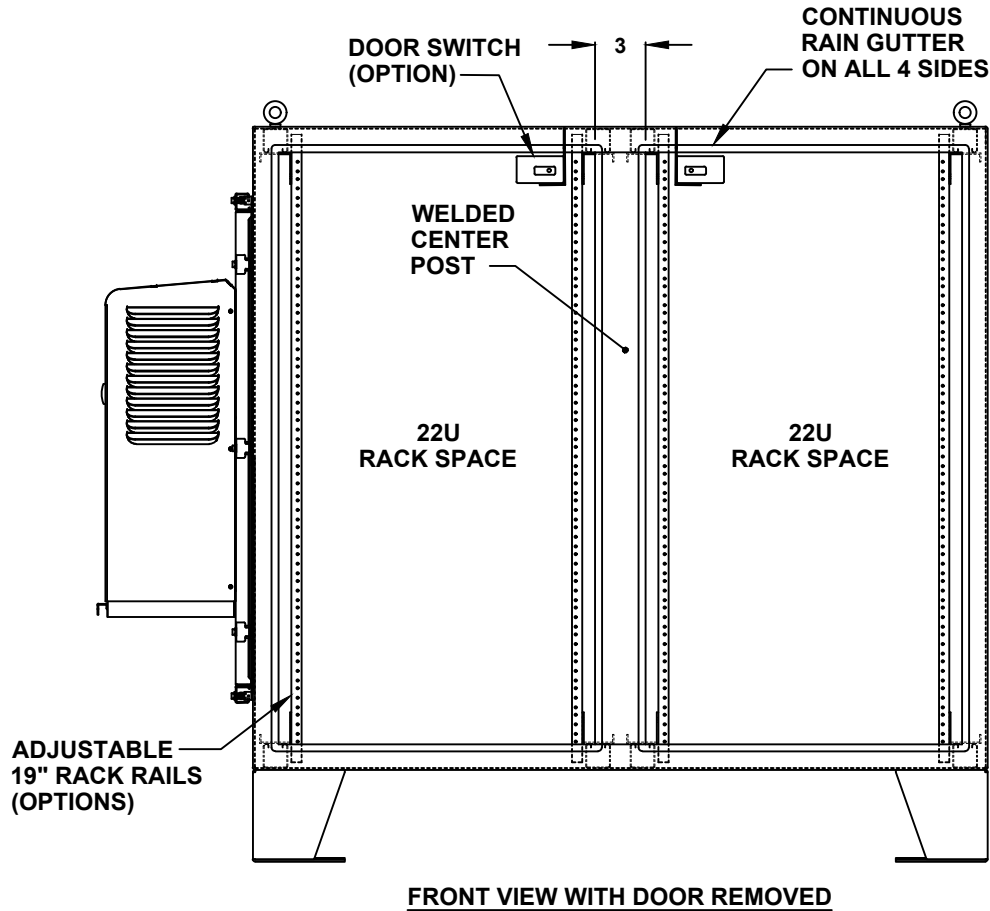


CROSS SECTION VIEW A-A

42" H x 48" W x 48" D 4 DOOR DESIGN

RACK RAIL OPTIONS

- BLACK CLIP NUTS, #10-32, (100 EA.)
- #10/32 HIGH POINT SCREWS (100 EA.)
- M6 CAGE NUTS



DOOR OPTIONS

- DOOR SWITCH
- ELECTROMAGNETIC LOCK
- PRINT POCKET

CENTER POST

- WELDED (STANDARD)
- REMOVEABLE

RACK RAIL POST

- QTY 4 POST
- QTY 8 POST (REARDOOR REQUIRED)

RACK RAIL MATERIAL

- POWDER COATED STEEL (STANDARD)
- 304 STAINLESS STEEL

RACK RAIL MOUNTING HOLES

- #10-32 TAP (STANDARD)
- #1/4-20 TAP
- 3/8 SQUARE

RACK RAIL TYPE

- STANDARD GRADE
- HEAVY DUTY RAILS (OPTION)

RACK SHELVES (OPTION)

- STANDARD RACK SHELVES
- SLIDING RACK SHELVES
- RACK SHELF SUPPORT

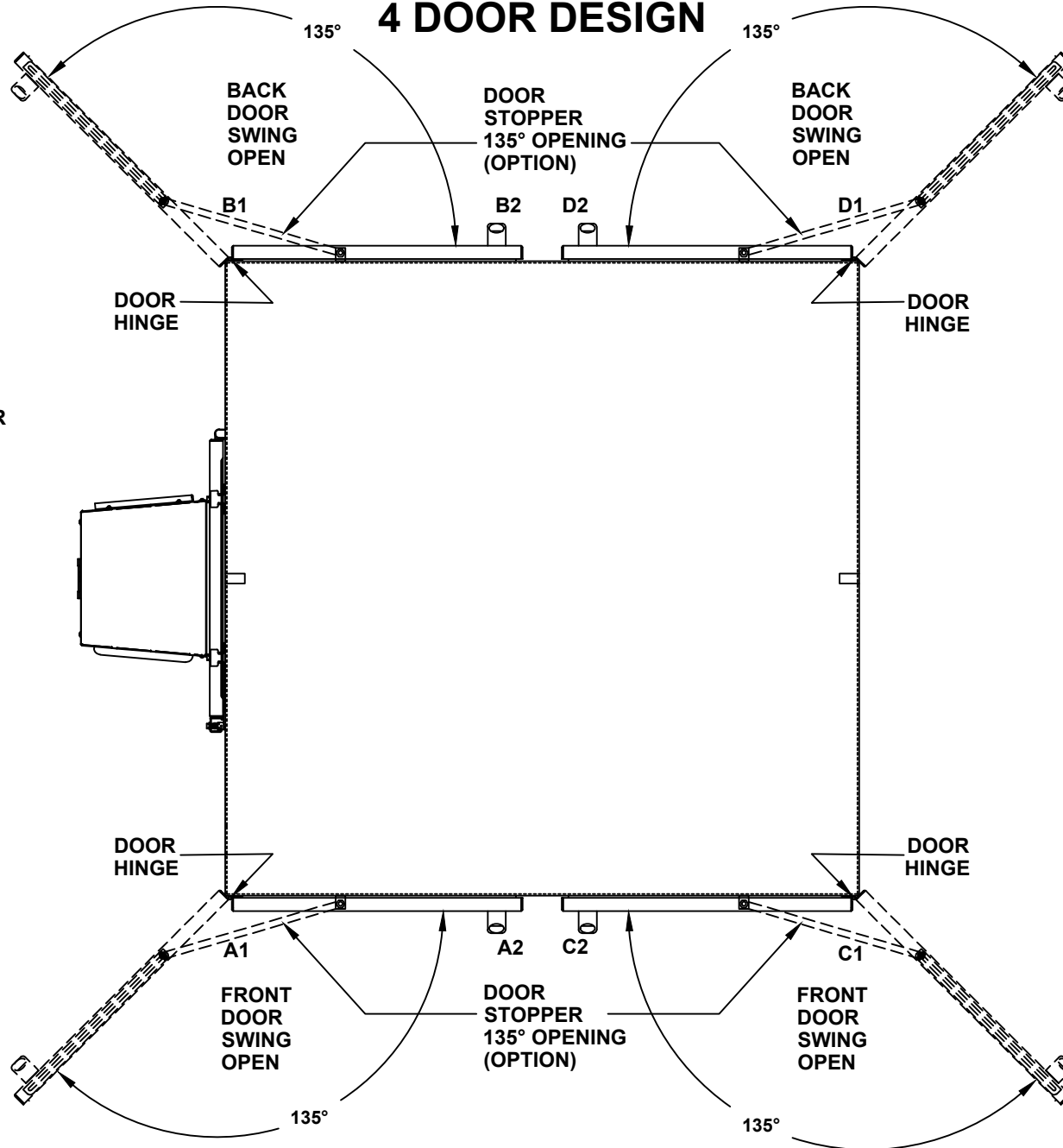
RACK DRAWERS (OPTION)

- RACK DRAWERS
- LAPTOP DRAWERS

OTHER OPTIONS

- 19" RACK COPPER BUSBAR
- VERTICAL RACK PDU

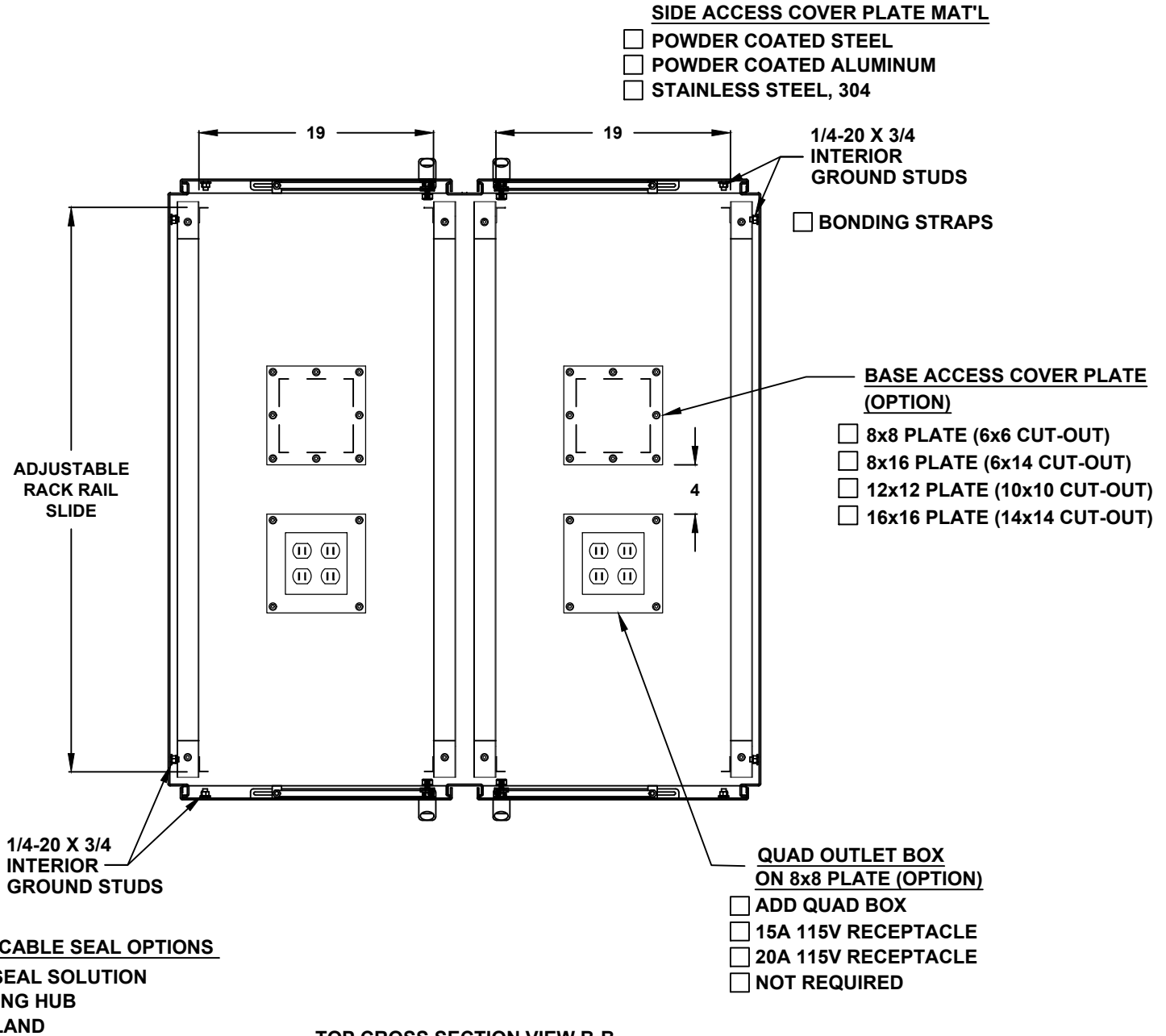
42" H x 48" W x 48" D 4 DOOR DESIGN



- DOOR STOPPER**
- INSTALL DOOR STOPPER
 - NOT REQUIRED

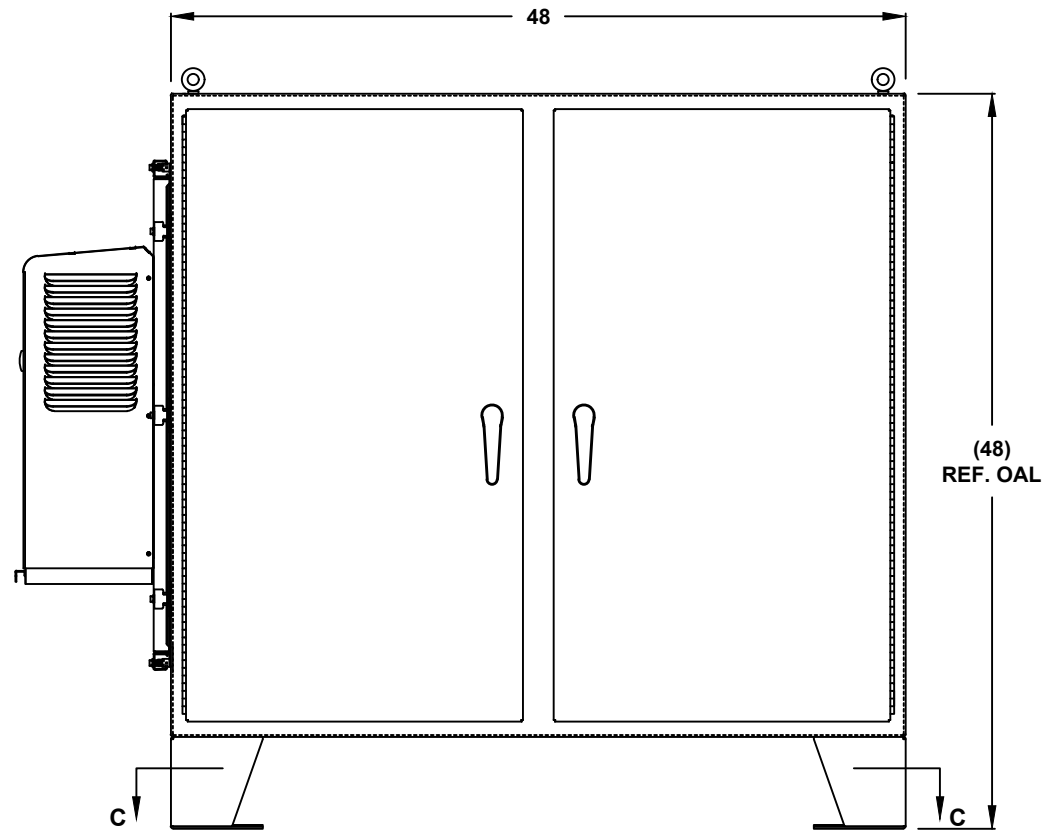
TOP VIEW

42" H x 48" W x 48" D 4 DOOR DESIGN



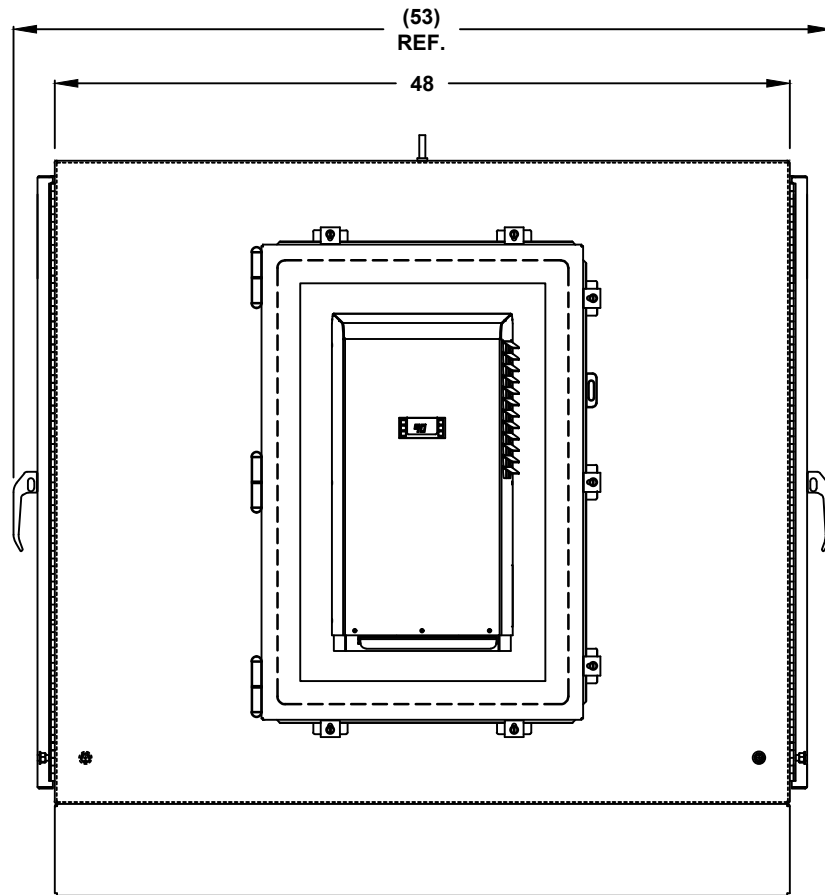
TOP CROSS SECTION VIEW B-B

42" H x 48" W x 48" D
4 DOOR DESIGN

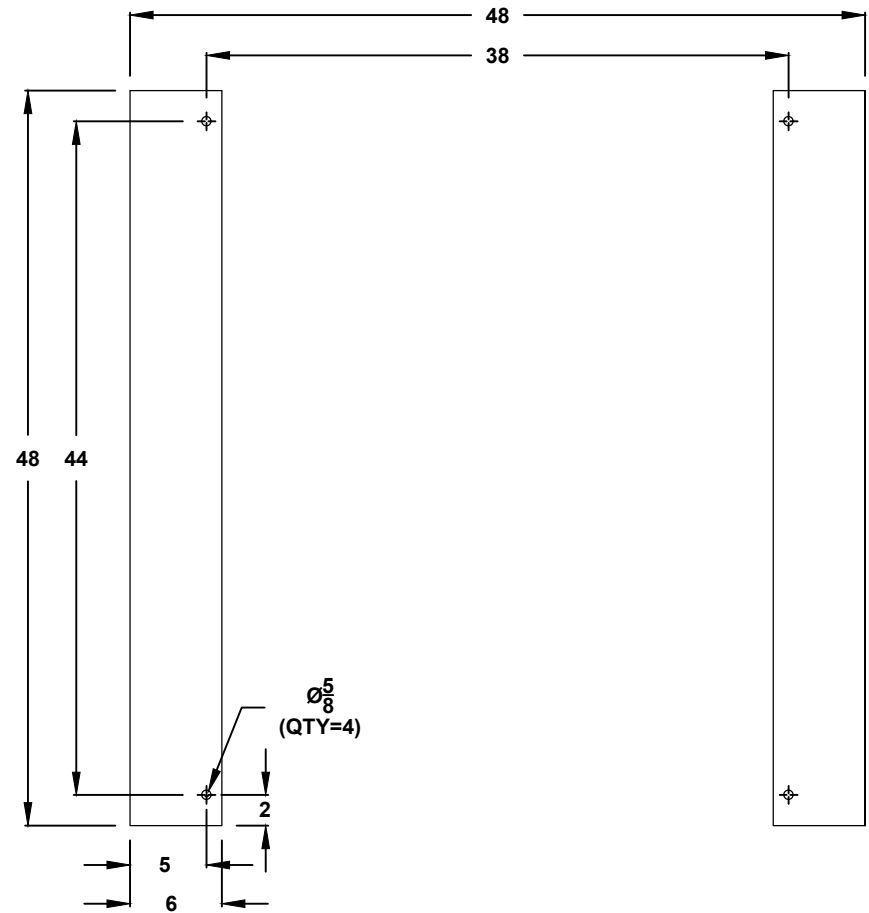


FRONT VIEW

42" H x 48" W x 48" D 4 DOOR DESIGN



LEFT SIDE



CROSS SECTION VIEW C-C
MOUNTING HOLES